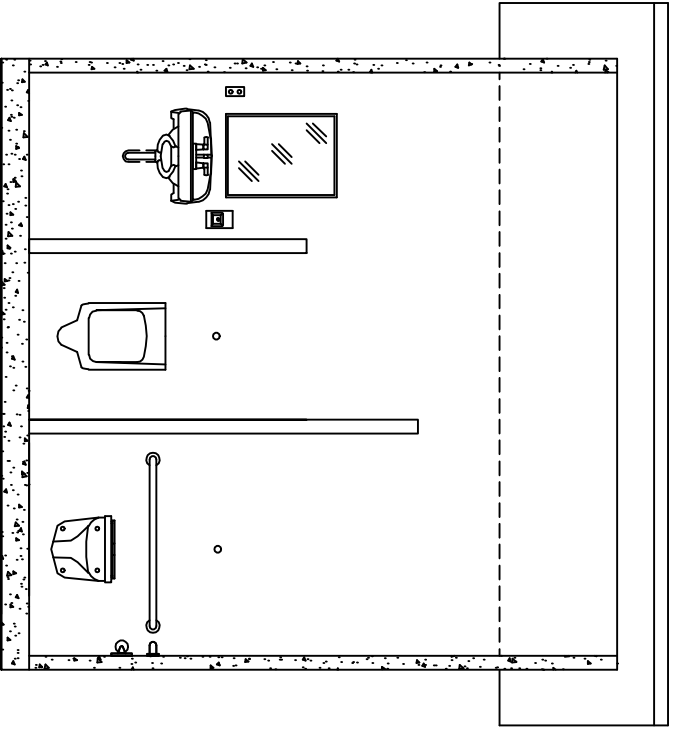
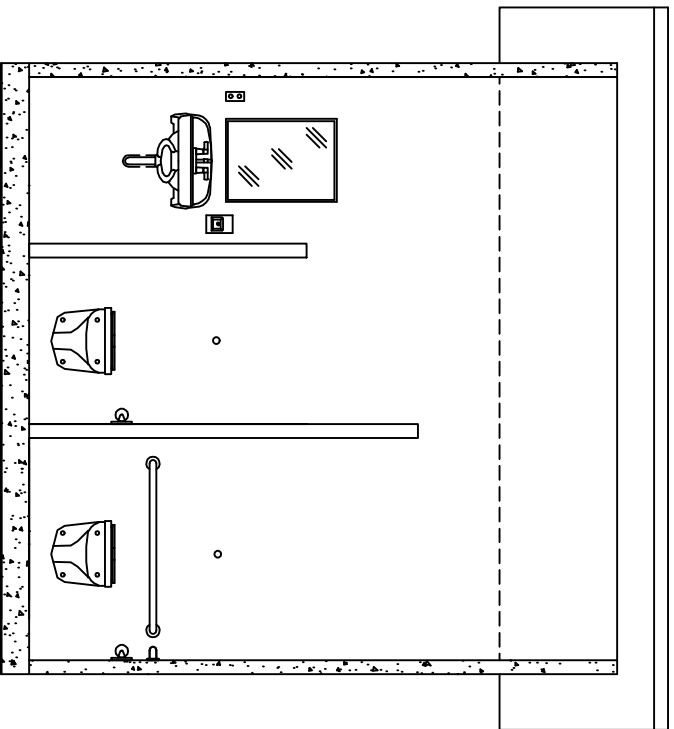


RESTROOM ELEVATION (TYP.)



RESTROOM ELEVATION (TYP.)



RESTROOM ELEVATION (TYP.)



**CARR CONCRETE**  
SUBSIDIARY OF R.W. SIDLEY, INC.

CARR CONCRETE CORPORATION  
P.O. BOX 265  
WAVERLY, WV 26184-0265

PHONE: (800)837-8918  
FAX: (304)484-4013

**CANAAN**

PRECAST CONCRETE BUILDING  
11'-0" X 26'-0" X 12'-0" H

REV	DATE	DESCRIPTION
0		ADDITIONAL

DATE	BY
DATE	BY
DATE	BY
DATE	BY

SCALE	AS INDICATED
SHEET NO.	2 OF 3