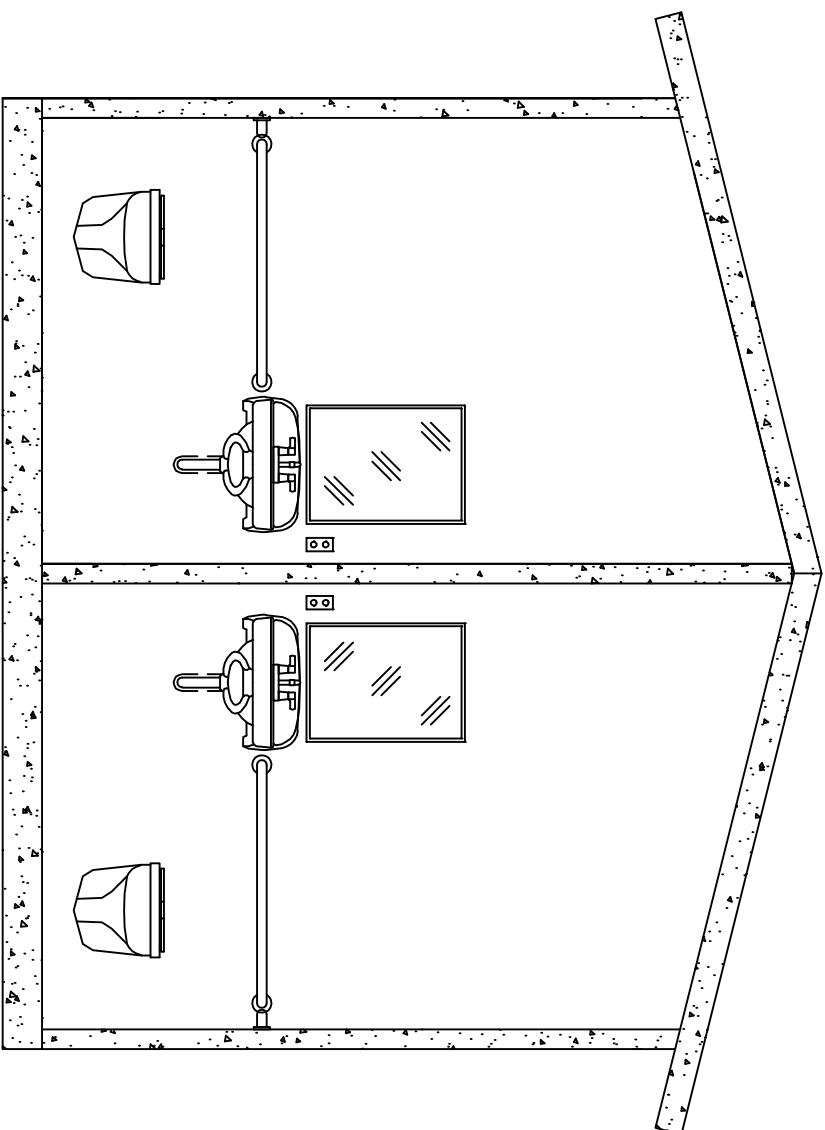


FLOOR PLAN



RESTROOM ELEVATION TYP.

- A
- B
- C
- D

- (2)-FIXED VENTS - 5"X16"
- (1)-VENTILATION FAN
- (1)-EXTERIOR PHOTOCCELL
- 100AMP SERVICE PANEL

CUMBERLAND

PRECAST CONCRETE BUILDING
10'-0" X 12'-0" X 10'-4" H



CARR CONCRETE CORPORATION
P.O. BOX 265
WAVERLY, WV 26184-0265

PHONE: (800)837-8918
FAX: (304)484-4013

REV	DATE	DESCRIPTION
0		AS SHOWN

DRAWN BY: *AW*
 DATE: 10/25/08
 SCALE: AS INDICATED
 SHEET NO. 1 OF 2

APPROVAL
DRAWING