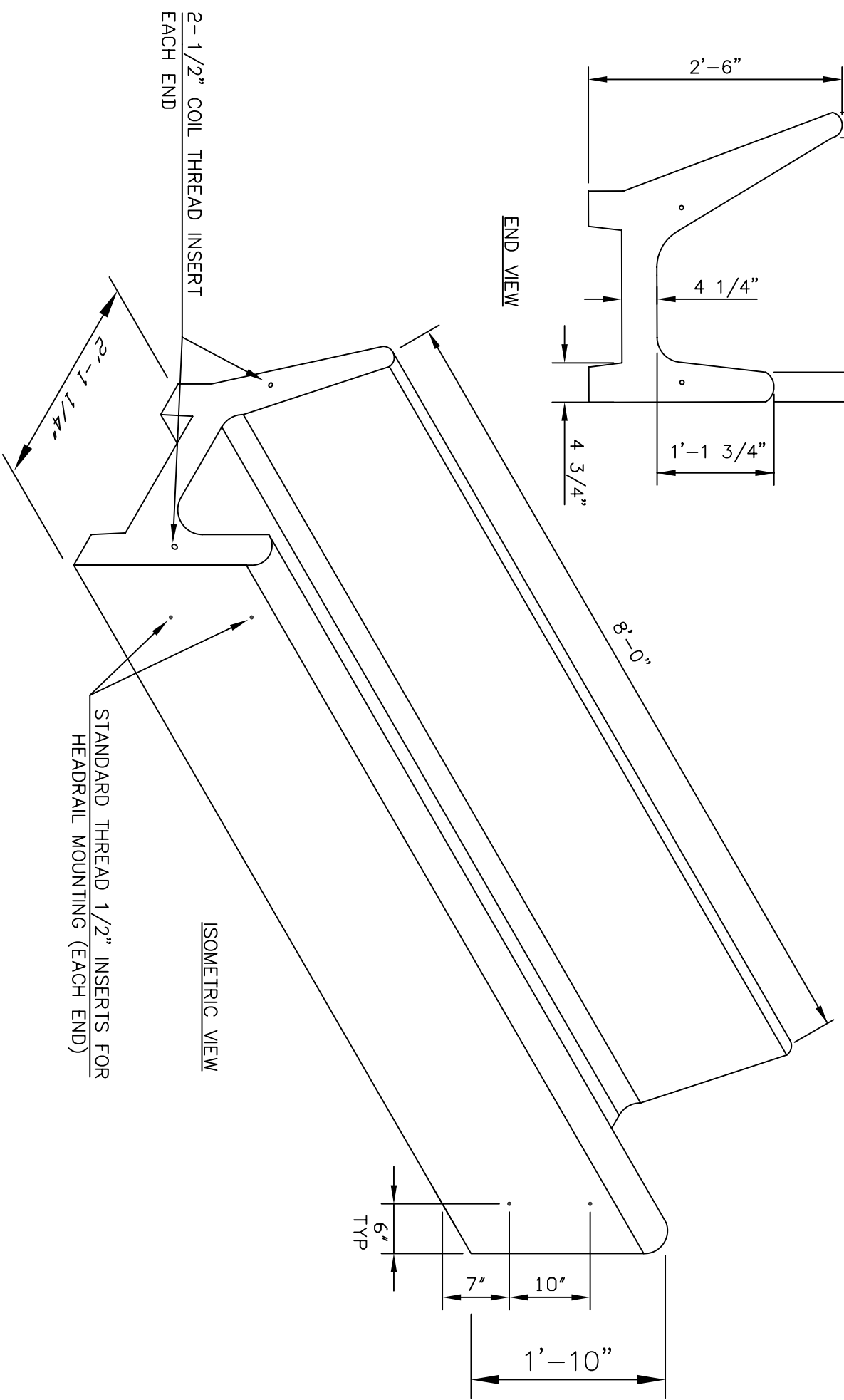


END VIEW



ISOMETRIC VIEW

STANDARD THREAD 1/2" INSERTS FOR
HEADRAIL MOUNTING (EACH END)

2- 1/2" COIL THREAD INSERT
EACH END



CARR CONCRETE
CARR CONCRETE CORPORATION
P.O. BOX 265, WAVERLY, WV 26184-0265

PHONE: 800-837-8918
FAX: 304-464-4013

FENCELINE FEED BUNK	
ISOMETRIC VIEW	
FILE#	JR92012F
DRAWN BY	JOR
DATE	2/20/92

DWG. NO.	REV	DATE
1	6	6
0F	5	5
	4	4
	3	3
	2	8/24/07
	1	5/16/97