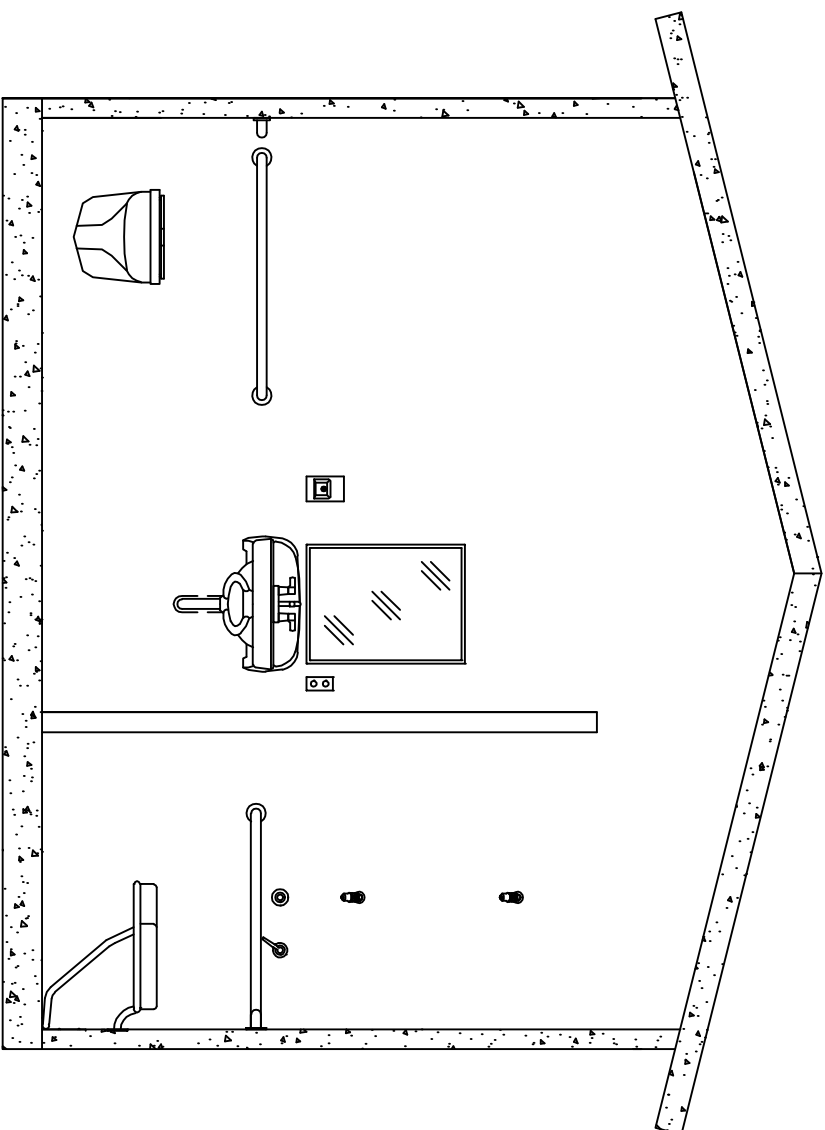


FLOOR PLAN



RESTROOM ELEVATION TYP.

- (A)
- (B)
- (C)
- (D)
- (E)

- (1)-FIXED VENTS- 5"X16"
- (1)-VENTILATION FAN - 12"Ø
- (1)-EXTERIOR PHOTOCELL
- 100AMP 120/240V PANEL
- (1)-CONCEALED ELECTRIC HAND DRYER

REV	DATE	DESCRIPTION
0		AS SHOWN

DRAWN BY: **AW**  
 DATE: 10/23/08  
 CHECKED BY:  
 APPROVAL DRAWING  
 SCALE: AS INDICATED  
 SHEET NO. 1 of 2

**GAULEY**  
 PRECAST CONCRETE BUILDING  
 10'-0" X 12'-0" X 10'-4" H



CARR CONCRETE CORPORATION  
 P.O. BOX 265  
 WAVERLY, WV 26184-0265  
 PHONE: (800)837-8918  
 FAX: (304)484-4013