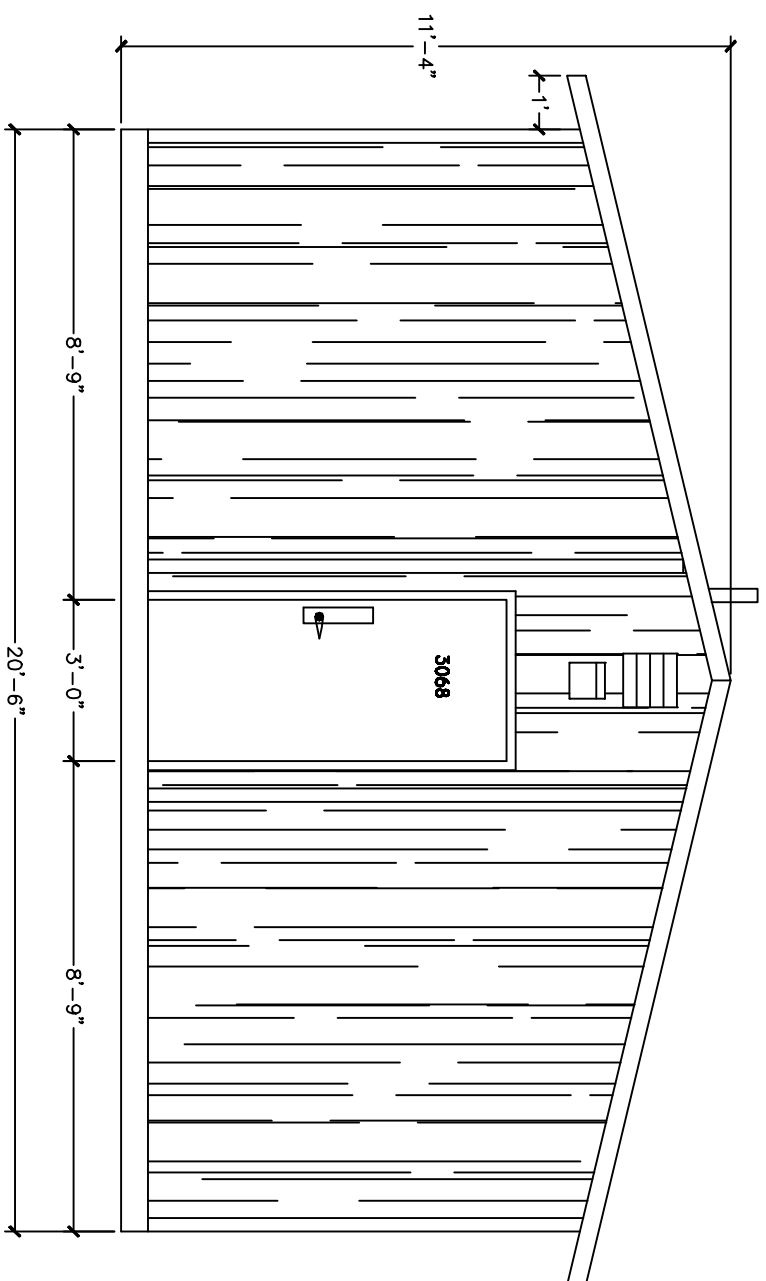
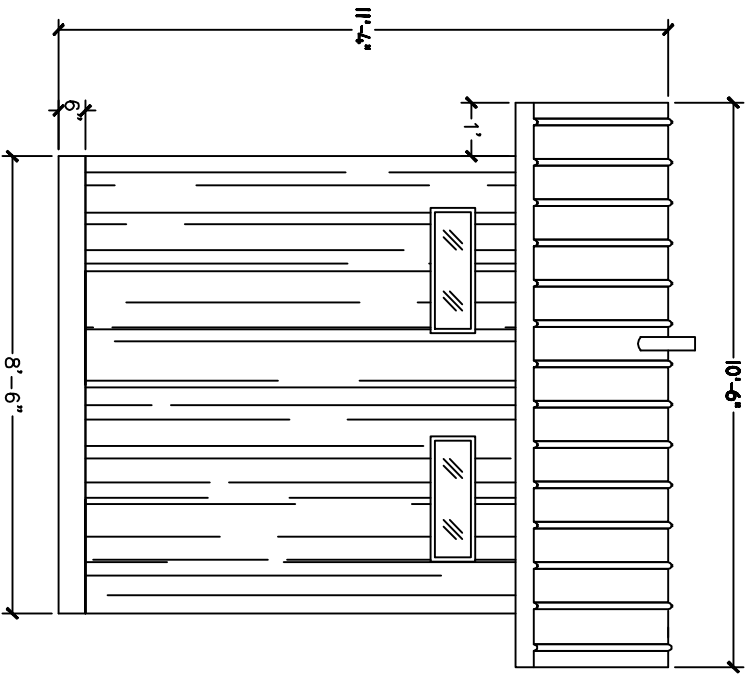


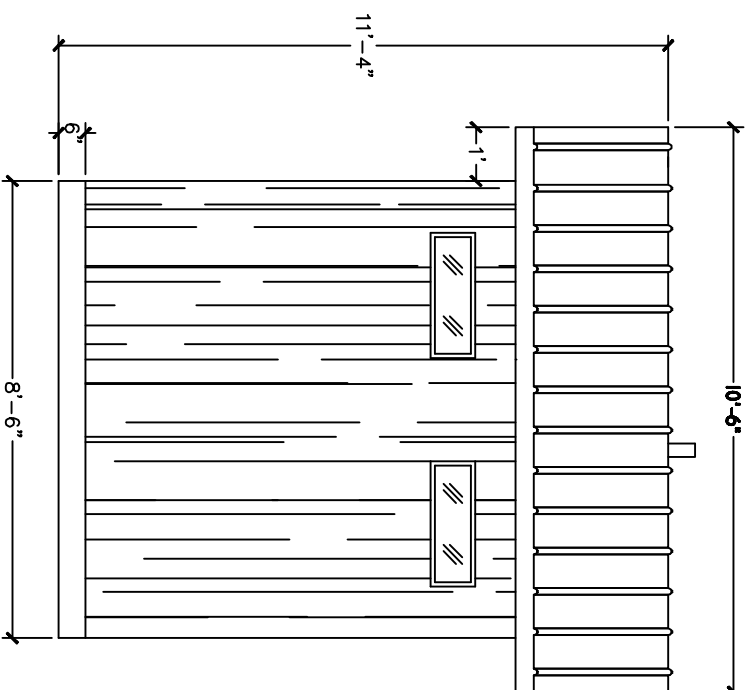
FRONT ELEVATION



BACK ELEVATION



RIGHT ELEVATION



LEFT ELEVATION

GREENBRIER

PRECAST CONCRETE BUILDING
8-6" X 20'-6" X 11-4" H



CARR CONCRETE CORPORATION
P.O. BOX 265
WAVERLY, WV 26184-0265

PHONE: (800)837-8918
FAX: (304)484-4013

| REV | DATE | DESCRIPTION |
|-----|------|-----------------|
| 0 | | ADDITIONAL VIEW |

APPROVAL
DRAWING

CHECKED BY: _____
DATE: 10/21/08
DRAWN BY: ASB
SCALE: AS INDICATED
SHEET NO. 2 OF 2