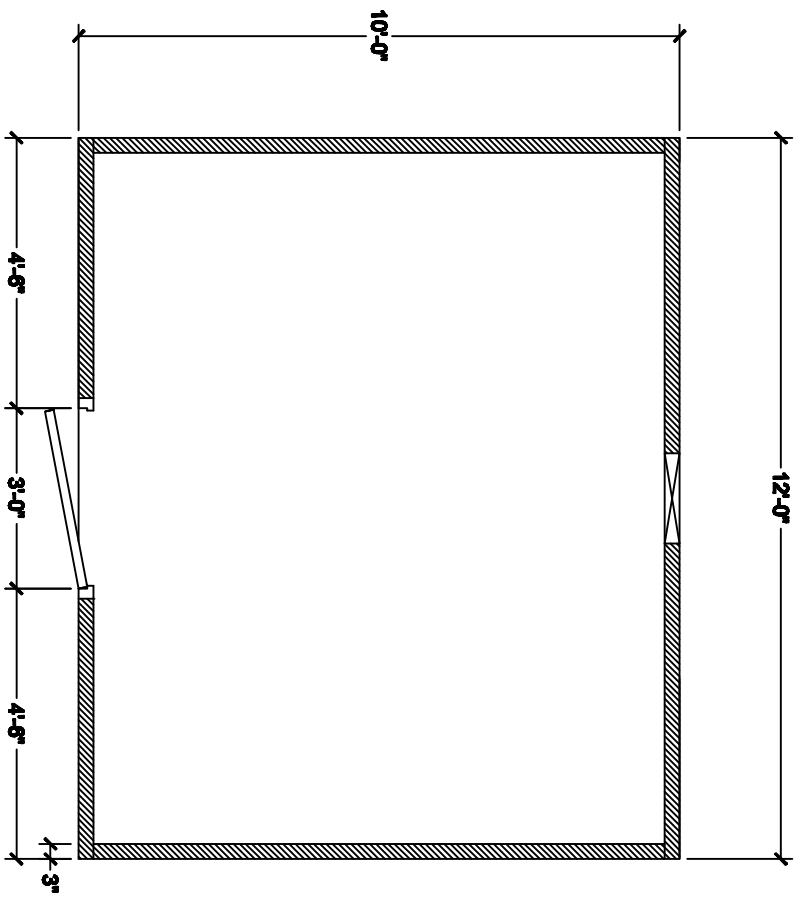
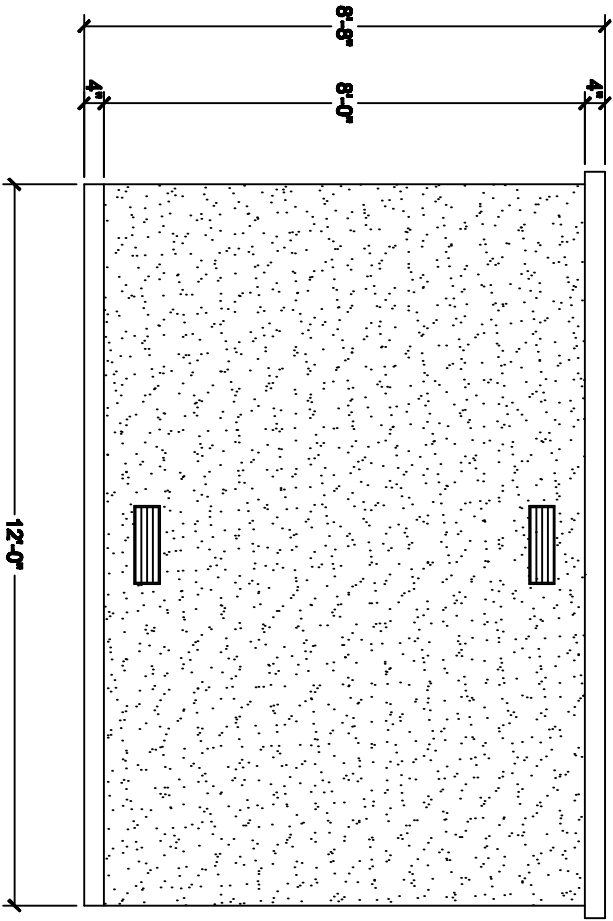


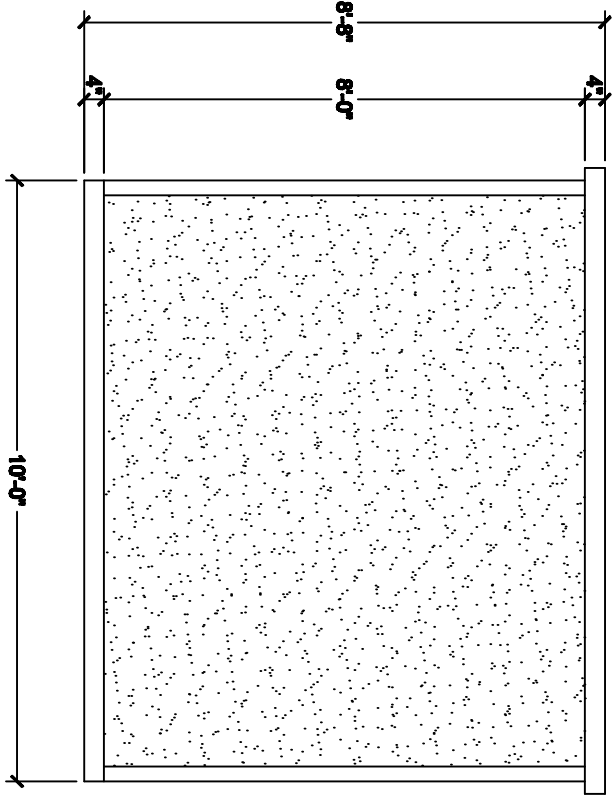
FRONT ELEVATION



FLOOR PLAN



BACK ELEVATION



SIDE ELEVATION (TYP.)

STORAGE BUILDING  
 PRECAST CONCRETE BUILDING  
 10'-0" X 12'-0" X 8'-8" H



CARR CONCRETE CORPORATION  
 P.O. BOX 265  
 WAVERLY, WV 26184-0265  
 PHONE: (800)837-8918  
 FAX: (304)484-4013

REV	DATE	DESCRIPTION
0		AS SHOWN

DRAWN BY: *AW*  
 CHECKED BY: *AW*  
 DATE: 11/04/08  
 SCALE: AS INDICATED  
 SHEET NO. 1 OF 1